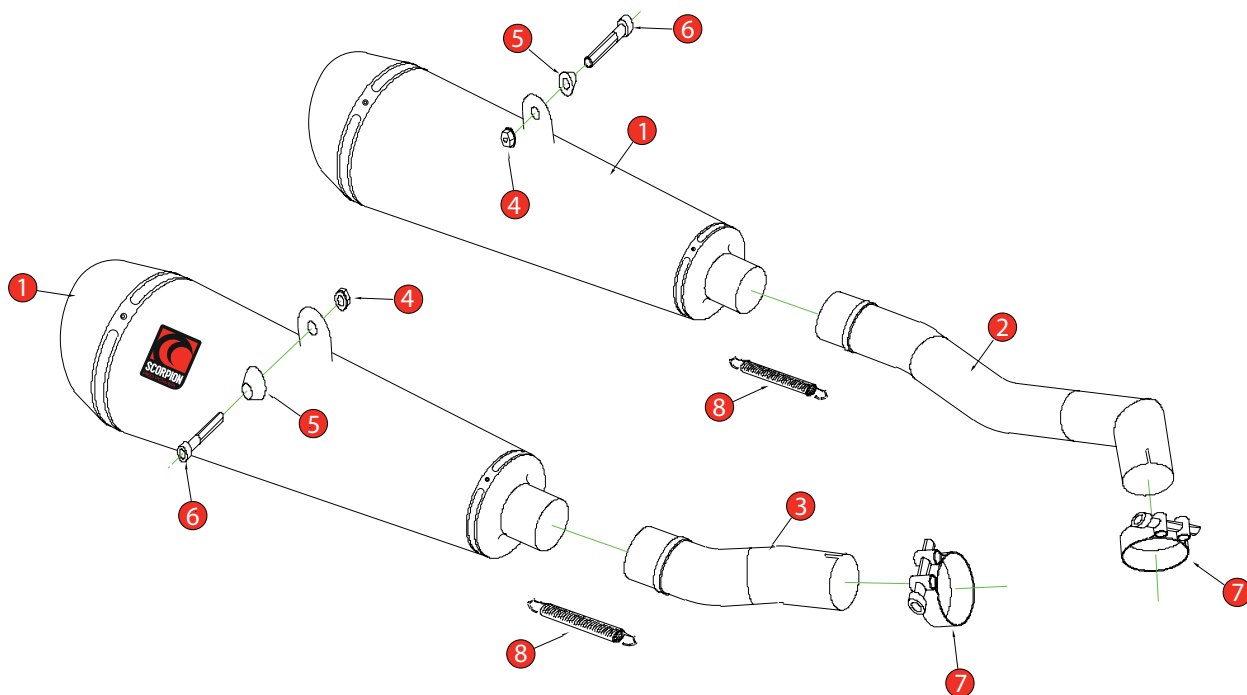


Box: PLOCK 1

BIKE	SUZUKI GSXR 1000 - K9	PART NO.	ESI - 106
YEAR	2009	FIT KITS	OVAL Z039.11355
NOTES	Where not supplied use original fittings	FEATURES	DB KILLER Z038.10147



- |   |   |
|---|---|
| 1 2 x 275mm Silencers ESC 154               | 8 2 x Rubber Sleeved Springs (Z028.10030) |
| 2 Connecting Pipe CP544                     |   |
| 3 Connecting Pipe CP545                     |   |
| 4 2 x M8 Nyloc Nuts (Z017.10062)            |   |
| 5 2 x Alloy Bolt Finishers (Z026.20068)     |   |
| 6 2 x M8 x 40mm Cap Head Bolts (Z017.10076) |   |
| 7 2 x 43-47mm Band Clamps (Z016.10008)      |   |

E-MARK ROUND	N/A
E-MARK OVAL	SI-106 e4 2323 ©
ISSUE NO.	0
DATE	12/05/09
AUTHORISED	S.Northrop
CHECKED	

**NOTE:** ENSURE SCORPION SYSTEM IS CLEAR OF MOVING PARTS AND ALL ORIGINAL FUNCTIONS WORK CORRECTLY.



A) Remove original exhaust from bike, taking care to keep all original components in a safe place.

B) Refit Scorpion exhaust as per line diagram above.

C) When fitted take bike for a short ride to ensure all functions are correct.

D) When bike & exhaust are cool enough check all nuts and bolts are still secure.